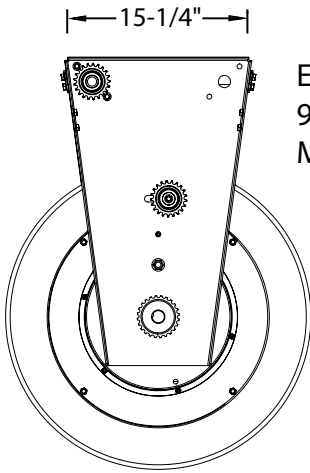


**TECHNICAL  
INFORMATION**

In the interest of continuing product improvement,  
we reserve the right to change models,  
specifications, and/or features without prejudice.

PROJECT: \_\_\_\_\_  
 LOCATION: \_\_\_\_\_  
 ARCHITECT: \_\_\_\_\_  
 ENGINEER: \_\_\_\_\_  
 CONTRACTOR: \_\_\_\_\_  
 DATE: \_\_\_\_\_ SALES ENGINEER: \_\_\_\_\_

**Tube-Type Motor, 28" & 32" Drum Width**

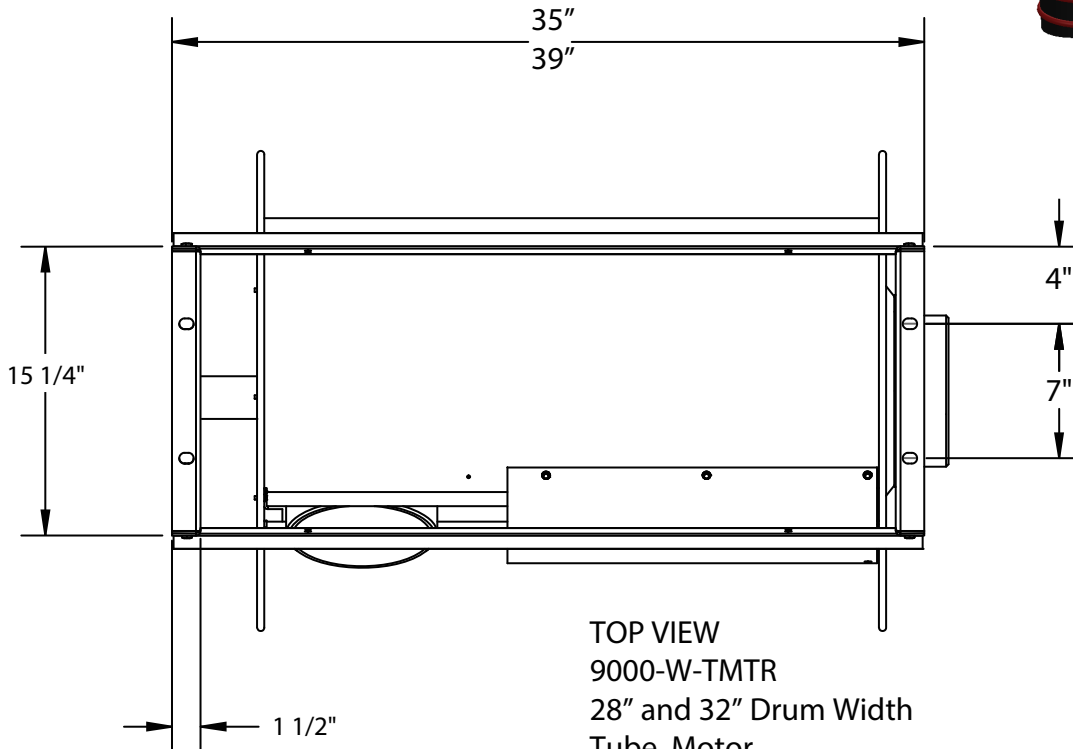


END VIEW  
9000-W-TMTR  
MOTOR SIDE

Tube Motor Assembly



*\*Reel shown  
without hinged  
chain cover*



TOP VIEW  
9000-W-TMTR  
28" and 32" Drum Width  
Tube Motor

(Mounting holes are 9/16")